

# SMART DIMMABLE LAMP PLUG INSTALL GUIDE



Smart Home

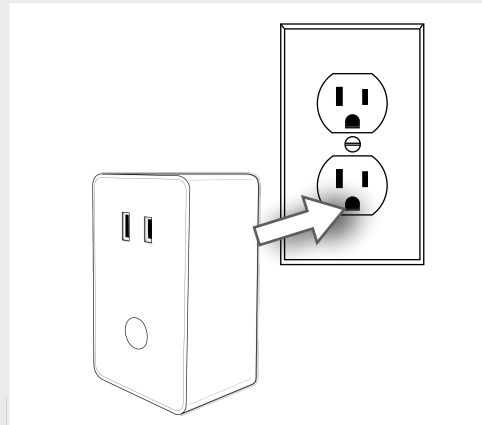
## STEP 1 LOCATE OUTLET NEAR PANEL



**PLEASE NOTE:**  
PAIRING THE IQ DIMMER NEAR THE IQ PANEL IS FOR CONVENIENCE ONLY.

ONCE THE IQ DIMMER HAS BEEN SUCCESSFULLY PAIRED, IT CAN BE MOVED ANYWHERE WITHIN AN ACCEPTABLE RANGE (APPROX. 100 FEET OPEN AIR)

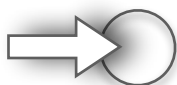
## STEP 2 PLUG INTO OUTLET



## STEP 3 PAIR WITH PANEL



Place your panel in "autolearn" mode

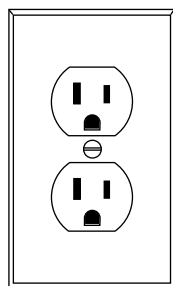


Plug in and press the button to "tamper" the device

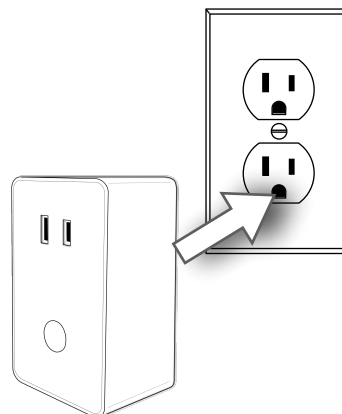
ADD

Customize name and settings as desired and touch "ADD"

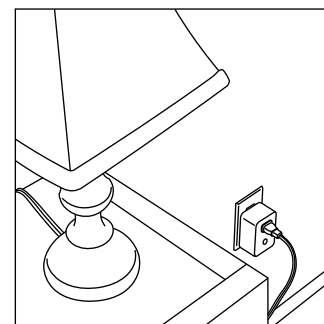
## STEP 4 LOCATE DESIRED OUTLET



## STEP 5 PLUG IN SMART SOCKET



## STEP 6 PLUG DEVICE IN



Max current 2.5A or 300W

Installation Support:

(877) 998-1457

[AAA.com/SmartHome-Install](http://AAA.com/SmartHome-Install)

Hosted on <https://tonybassogm.com/>

Golsys Inc. proprietary. Reproduction without permission is not permitted.

FCC ID: 2ABWC PD100

IC: 11786A-PD100

This device complies with part 15 of the FCC Rules. Operation is subject to the following two conditions: (1) This device may not cause harmful interference, and (2) this device must accept any interference received, including interference that may cause undesired operation. Changes or modifications not expressly approved by the party responsible for compliance could void the user's authority to operate the equipment.

This device complies with Industry Canada licence-exempt RSS standard(s). Operation is subject to the following two conditions: (1) this device may not cause interference, and (2) this device must accept any interference, including interference that may cause undesired operation of the device. Cet appareil est conforme avec Industrie Canada exempts de licence standard RSS (s). Son fonctionnement est soumis aux deux conditions suivantes: (1) cet appareil ne doit pas provoquer d'interférences et (2) cet appareil doit accepter toute interférence, y compris celles pouvant causer un mauvais fonctionnement de l'appareil.